

Lattice Track Arbors

- Used in single purchase lattice track guided systems to hold counterweight that balances the batten load
- Arbor tops and bottoms are fabricated 1/2" (13 mm) steel plates with brass guides that engage the lattice track
- Arbor tops have 7 gauge (5 mm) steel plates with holes for lift line terminations and bolt and spacer for the hand line termination;
Label on top provides safety information and locations for spreader plates
- Arbor tops are punched to accept 8 cables
- Two 3/4" (19 mm) steel arbor rods have three nuts at top and bottom
- Each rod has a retaining collar with a thumbscrew incorporating an easy-to-grip plastic knob
- 12 gauge (3 mm) steel spreader plate every 2' (610 mm) (minimum 2)
- Lattice track systems are used for individual counterweight sets such as act curtains and fire curtains
- A dashpot channel (078-DPC) option is available for use with dashpots in fire curtain systems;
This channel is factory welded to the top of the arbor to engage the swaged ball on the dashpot line, causing the dashpot to slow the curtain descent during the last portion of its travel
- Three-year warranty against defects in materials or workmanship is provided on all J.R. Clancy equipment, additional warranty information is available at jrclancy.com

Order Information

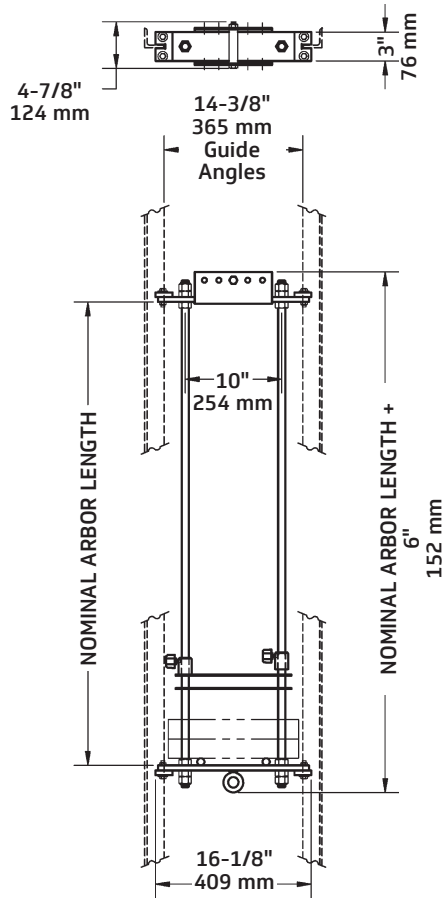
Number	Length*	Capacity+ 4" (102 mm) Weights	Capacity+ 6" (152 mm) Weights	Weight
007-84X04	4' (1219 mm)	504 lb (229 kg)	782 lb (335 kg)	35 lb (15.9 kg)
007-84X05	5' (1524 mm)	672 lb (305 kg)	1043 lb (473 kg)	38 lb (17.2 kg)
007-84X06	6' (1829 mm)	841 lb (381 kg)	1303 lb (591 kg)	41 lb (18.6 kg)
007-84X07	7' (2134 mm)	1009 lb (458 kg)	1564 lb (704 kg)	44 lb (19.9 kg)
007-84X08	8' (2438 mm)	1177 lb (534 kg)	1825 lb (828 kg)	47 lb (21.3 kg)

*Overall length is 6" (152 mm) longer than the nominal length.
 +Average Capacity using J.R. Clancy steel counterweights.
RWL: RWL is maximum load that can be applied to the arbor which is in "like new" condition and has been properly installed, maintained, and operated.

Options

Number	Description
078-DPC	Dashpot Channel

Dimensions



Wenger

JRCLANCY

GEARBOSS

© 2024 Wenger Corporation
USA/2024-03

Minnesota Location Wenger Phone 800.4WENGER (493-6437) Wenger Worldwide +1.507.455.4100 | Parts & Service 800.887.7145 | wengercorp.com

GearBoss Phone 800.493.6437 | gearboss.com
555 Park Drive, PO Box 448 | Owatonna | MN 55060

New York Location

J.R. Clancy Phone 800.836.1885 JR Clancy Worldwide +1.315.451.3440 | jrclancy.com | 7041 Interstate Island Road | Syracuse | NY 13209